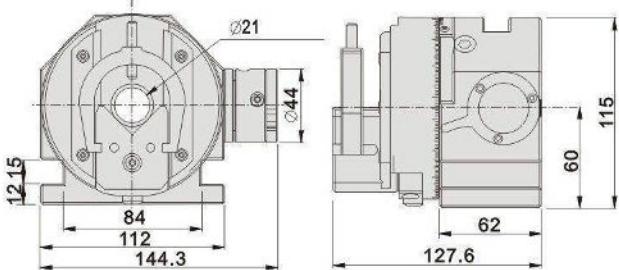


53200 WPF



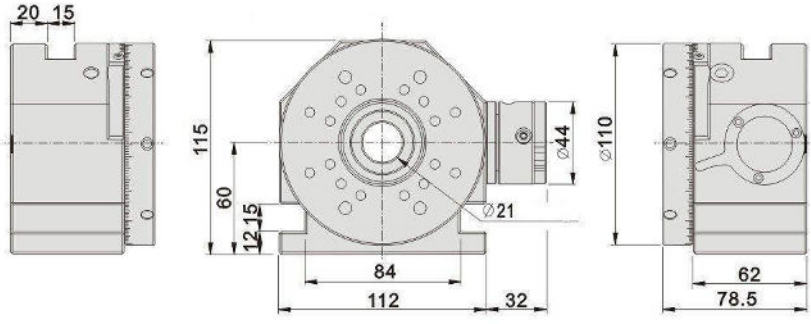
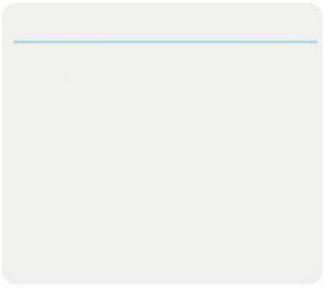
9.6kg



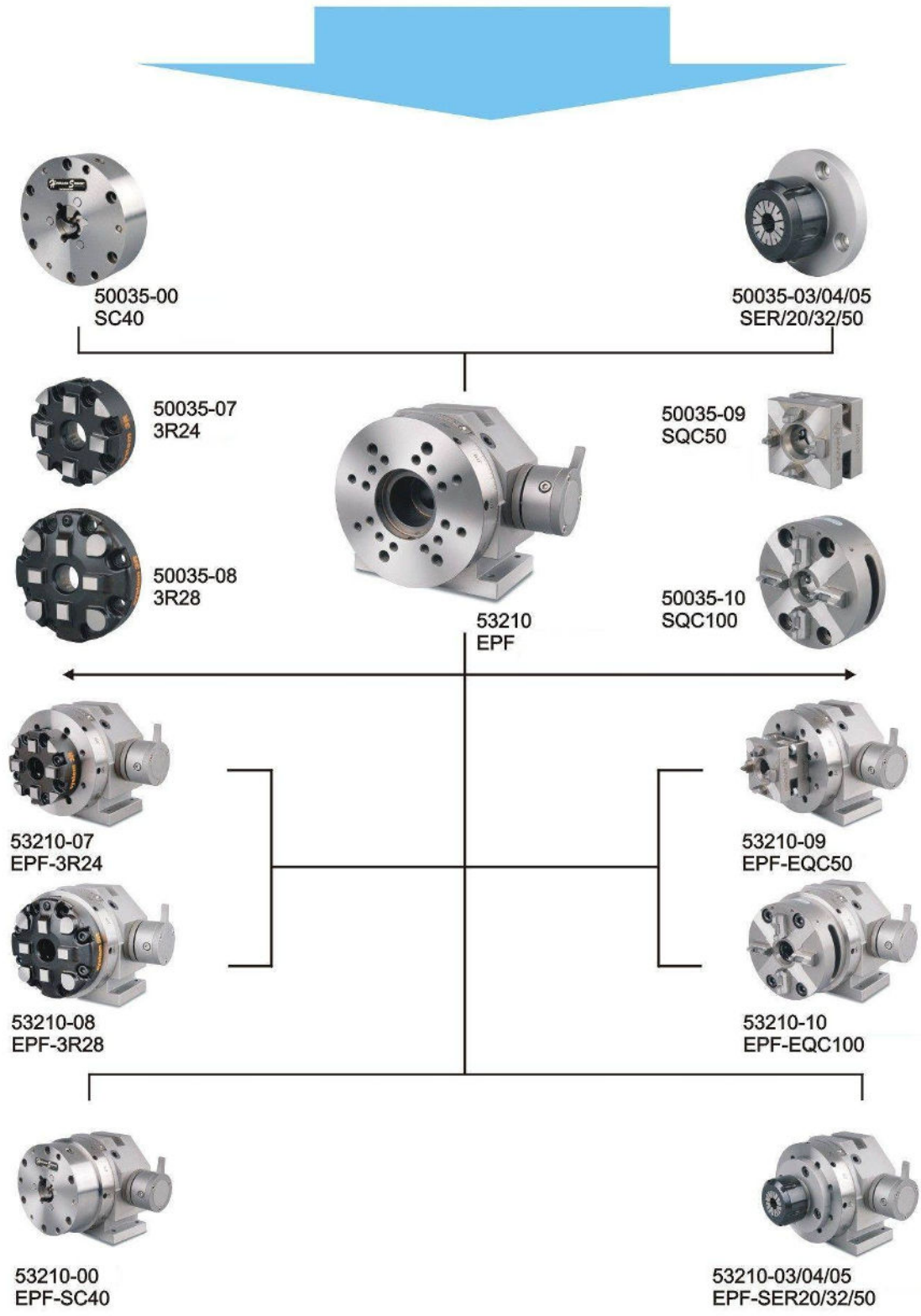
53210 EPF



6.1kg



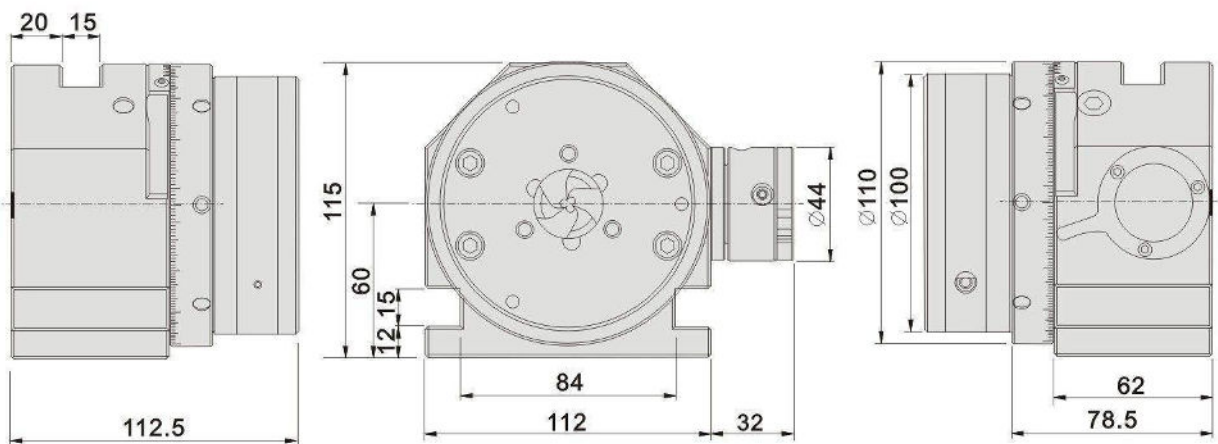
53210 EPF



53210-00 EPF-SC40

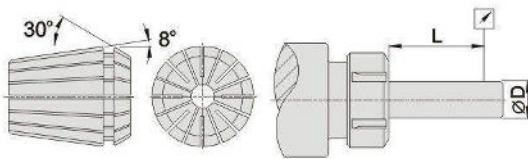
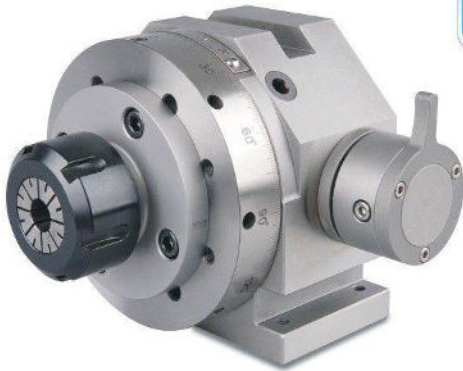


7.6kg

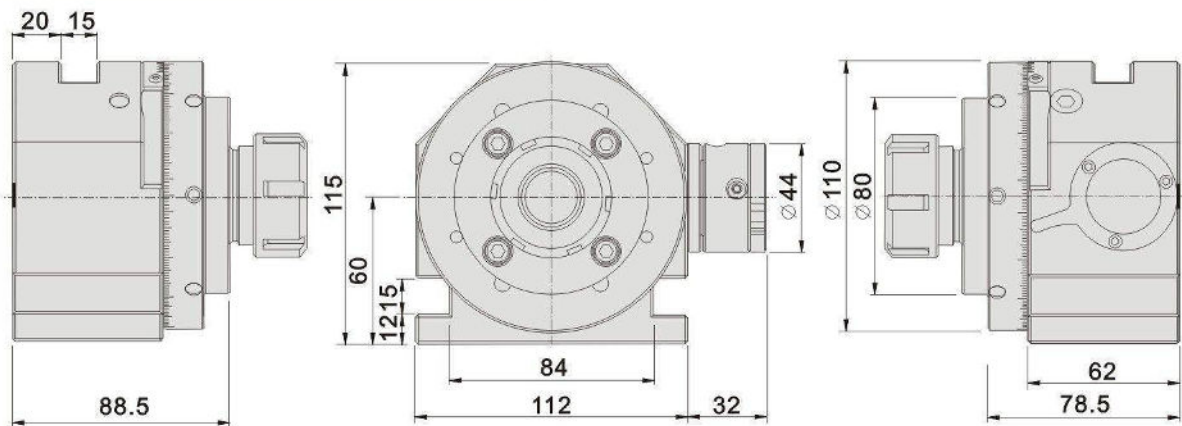


53210-03/04/05

EPF-SER



L	D	
6	1.0-1.6	0.01
10	1.6-3.0	0.01
16	3.0-7.0	0.01
25	7.0-10.0	0.01
40	10.0-18.0	0.01
50	18.0-24.0	0.01
60	24.0-34.0	0.01



Part Number	Model	Options
53210-03	EPF-SER20	3, 4, 6, 8, 10
53210-04	EPF-SER32	4, 8, 12, 16, 20
53210-05	EPF-SER50	12, 18, 20, 30, 34

53210-07/08

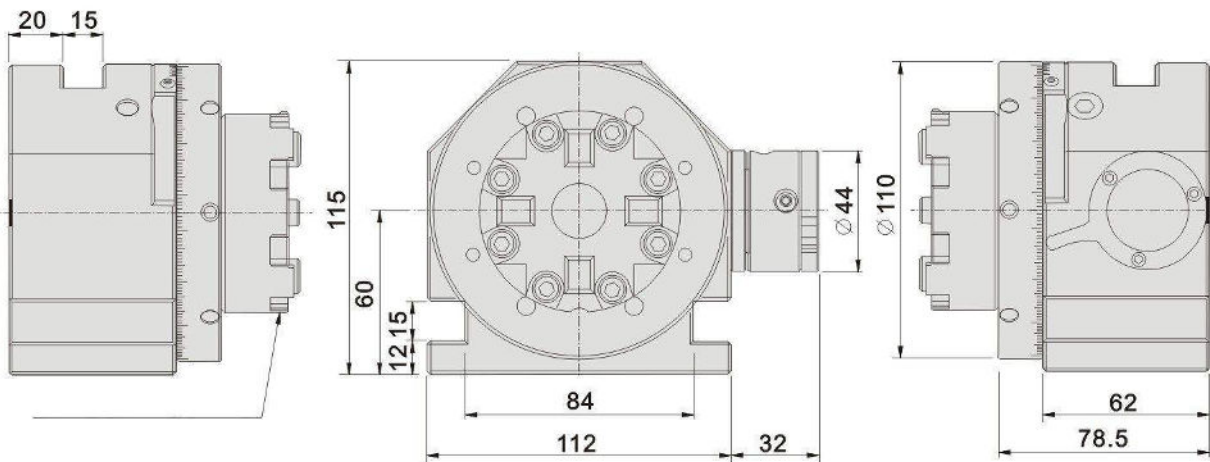
EPF-3R



EPF-3R24



EPF-3R28



53210-07	EPF-3R24	3R24
53210-08	EPF-3R28	3R28

53210-09/10

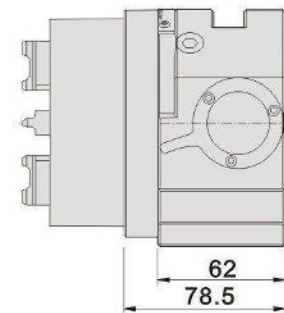
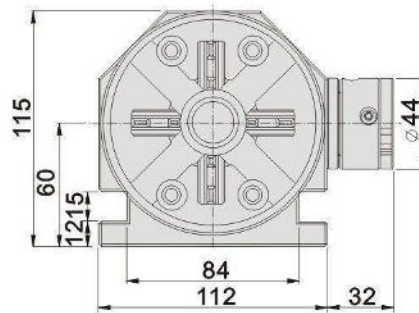
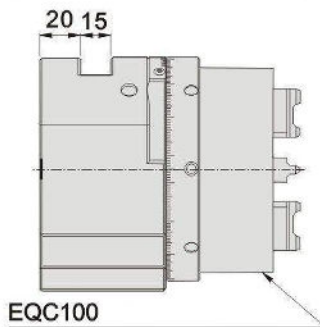
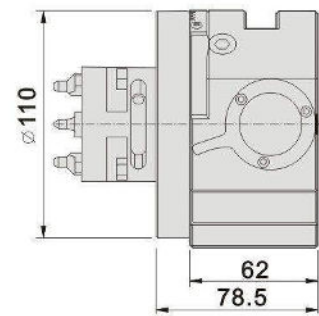
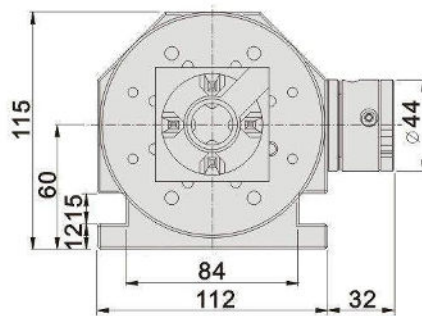
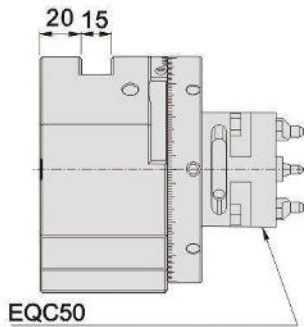
EPF-EQC



EPF-EQC50



EPF-EQC100



53210-09	EPF-EQC50	EQC50
53210-10	EPF-EQC100	EQC100